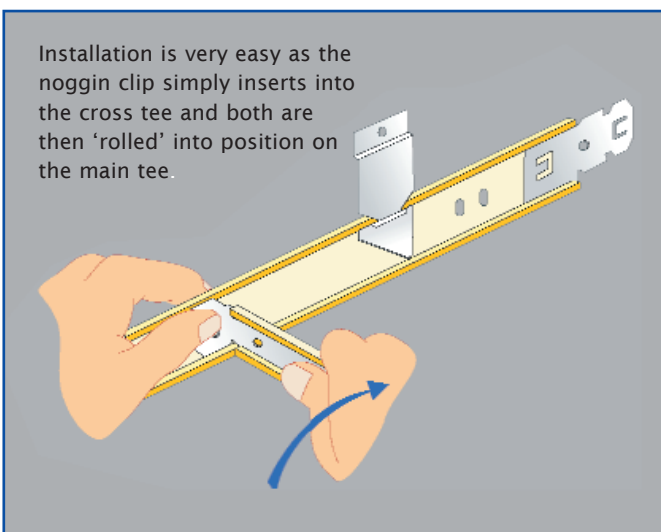
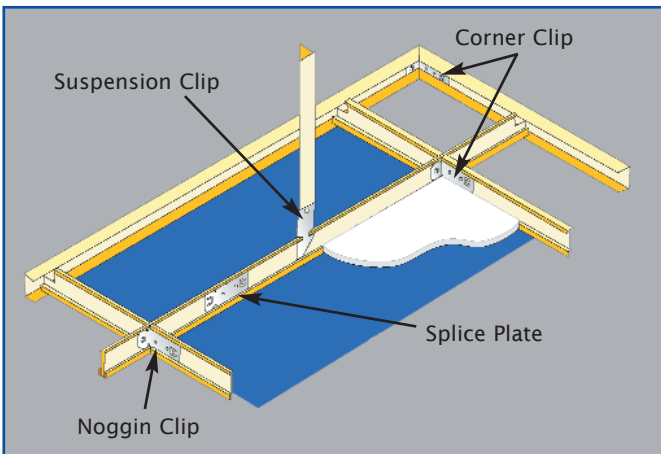


# Aluminium T Grid Cleanroom Ceiling Systems

## Product Guide

### Cleanrooms

A Cleanroom is an environment, typically in manufacturing and scientific industries, that has a controlled, low level of environmental pollutants such as dust, airborne microbes, aerosol particles and chemical vapours.



### Aluminium profiles data

Aluminium extrusions are manufactured BS1474 in alloy 6063, T6 temper to ensure maximum load capacity. Our precision extrusion cutting facility works to a tolerance of  $\pm 0.25\text{mm}$  (20°C) as standard.

### Cleanroom Ceilings

The T37, T50, T60 T Grid and A37 Perimeter sections are our most popular profiles for use in Cleanroom Ceilings. We can also supply the ceiling panels when required.

### Key benefits

- Superbly engineered
- UK manufactured and available ex-stock
- Competitive pricing
- Easy to install
- Vast range of interchangeable sections
- Up to 3600mm lengths
- Fully demountable and reusable / recyclable
- Provided painted to RAL9010 or others
- Clear Anodise to AA5 or other finishes on request

### Pre-punched track assembly

- The installation is simplicity itself.
- The noggin clips are self depthing and fit into the cross tees without mechanical fixing.
- The assembled noggin and clip is then rolled into the main tee using slight thumb pressure at the top of the clip (as shown).
- Further adjustment can be made to the position of the noggin by gently tapping at the noggin clip position.
- To remove the noggin it is a simple matter of reversing the above procedure

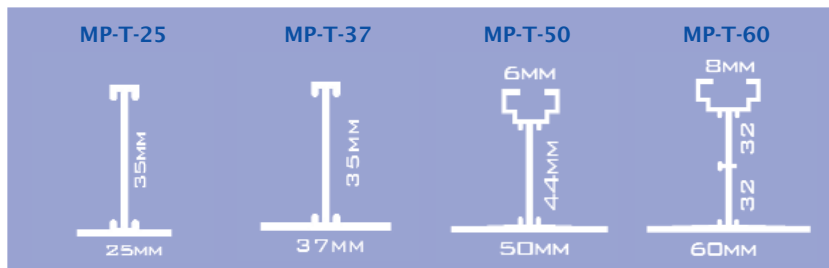
# Aluminium T Grid Cleanroom Ceiling Systems

## For use in Clean Rooms & other Non Ferrous Applications

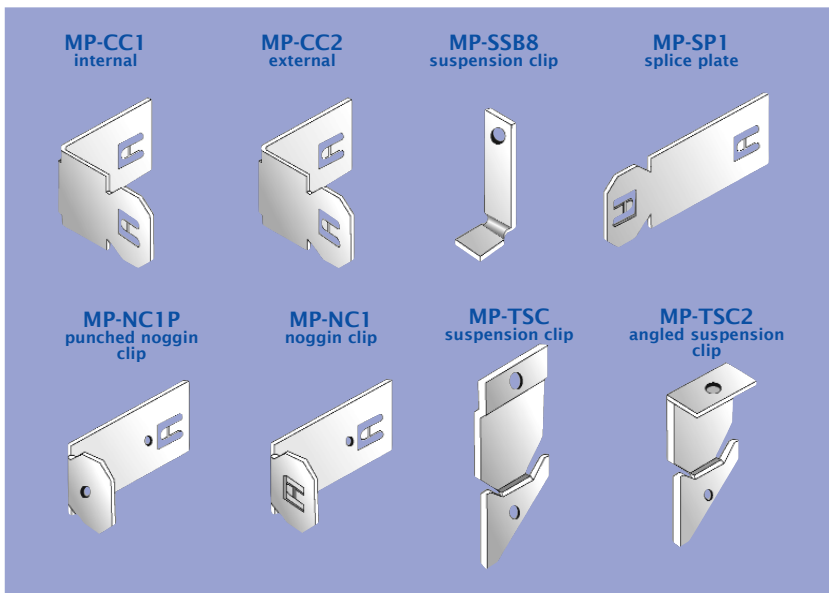
Grid modules of any size can be created enabling total design flexibility, access to services and full demountability, as well as accommodating partition layout changes.

For ease of setting out, main tees for modules of 500mm, 600mm or 200mm can be supplied pre-punched & ready to receive the cross noggins.

## T Grid Components



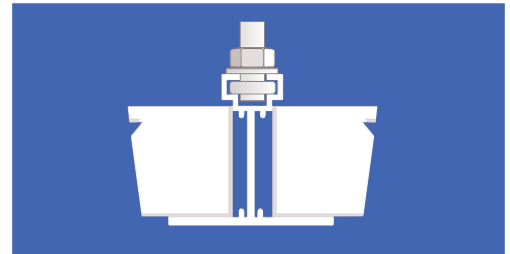
All our **T-Grid Suspension Brackets** incorporate our 'nib' feature, enabling system components, including perimeter trims to be fully integrated without the use of mechanical fixings. This feature is also featured in many other Martingale trim products allowing for perfect linear alignment between profiles.



## Applications

- Healthcare
- Medical technology
- Pharmaceuticals
- Component & technical products
- Microelectronics
- Food Industries

## T50 Tee Bar - Typical Use



## Architectural & Engineered

Martingale Fabrications has over 30 years of experience in the manufacture of custom engineered products and systems for the construction and commercial interiors markets. We offer a complete design, fabrication and supply service - from high volume components to one-off complex bespoke designs in either steel or aluminium;

- Pressing and guillotining
- Notching and cutting to length
- Welding
- Punching and fabrication
- Mitred corners
- Powder Coating